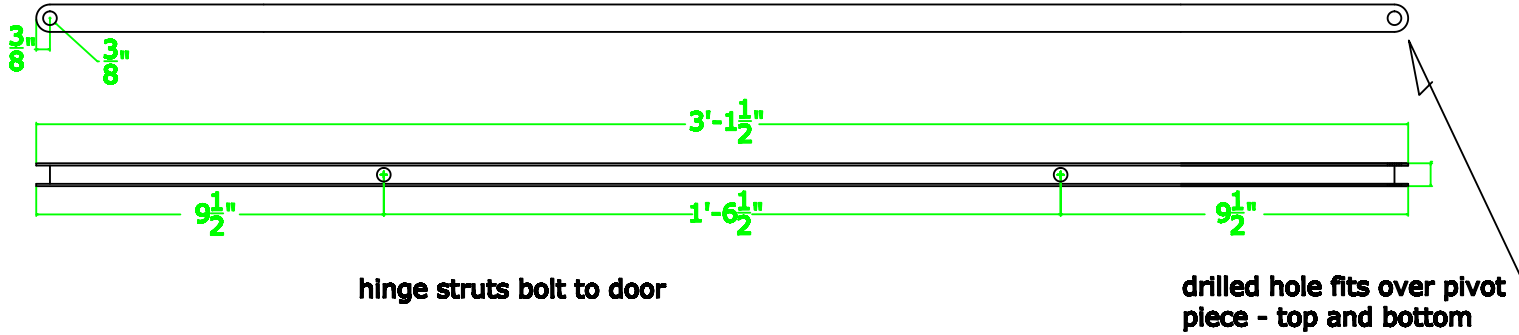


**EZup Hut door hinges**

**12**

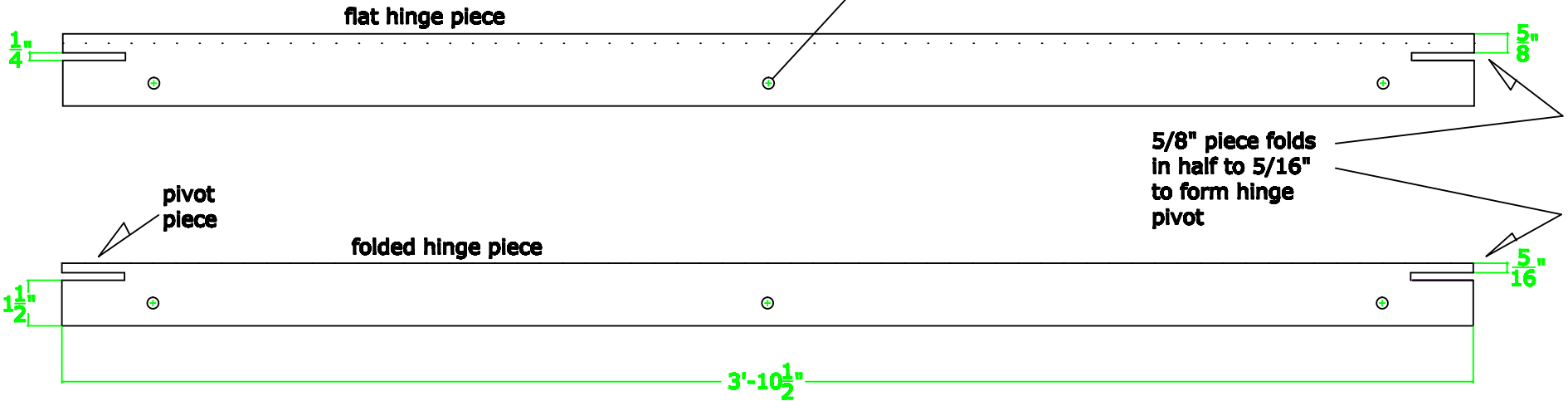
**hinge struts 3/4" U channel - drilled and rounded ends**



**hinge struts bolt to door**

**drilled hole fits over pivot piece - top and bottom**

**drilled bolt holes match holes in wall flanges  
hinges can be bolted to left or right of doors**



**flat hinge piece**

**folded hinge piece**

**pivot piece**

**5/8" piece folds  
in half to 5/16"  
to form hinge  
pivot**